

MTG-GL-172

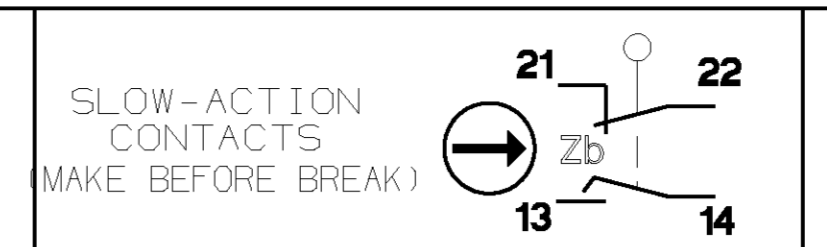
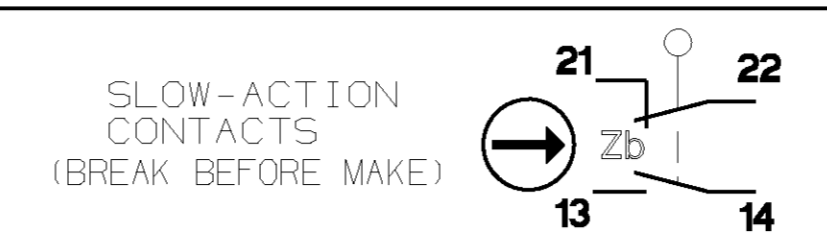
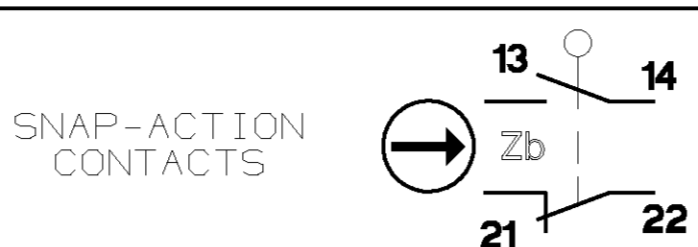
REPLACES
DRAWING NUMBER
11

REVISIONS
6/7/96
7/12/96
8/7/97
9/8/97
10/CO/395
11/PM/03/05

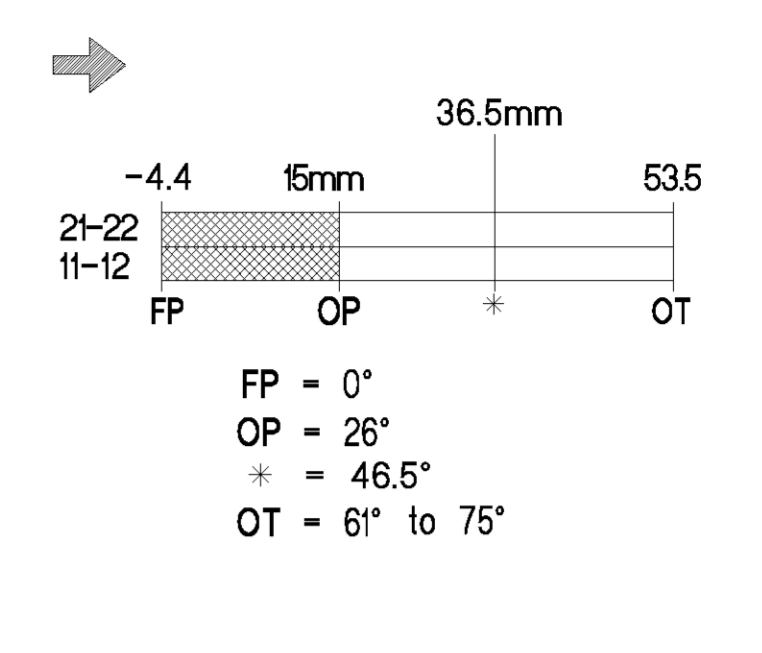
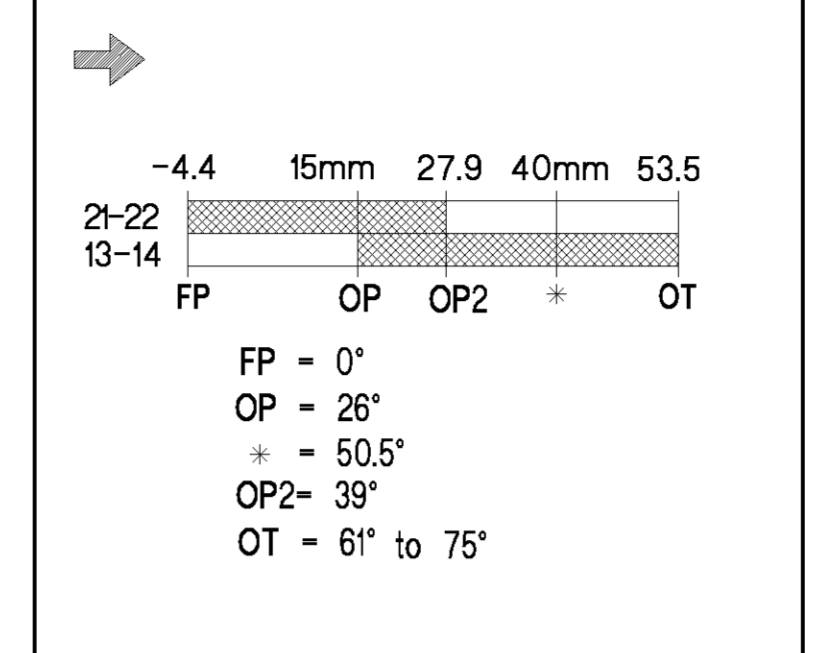
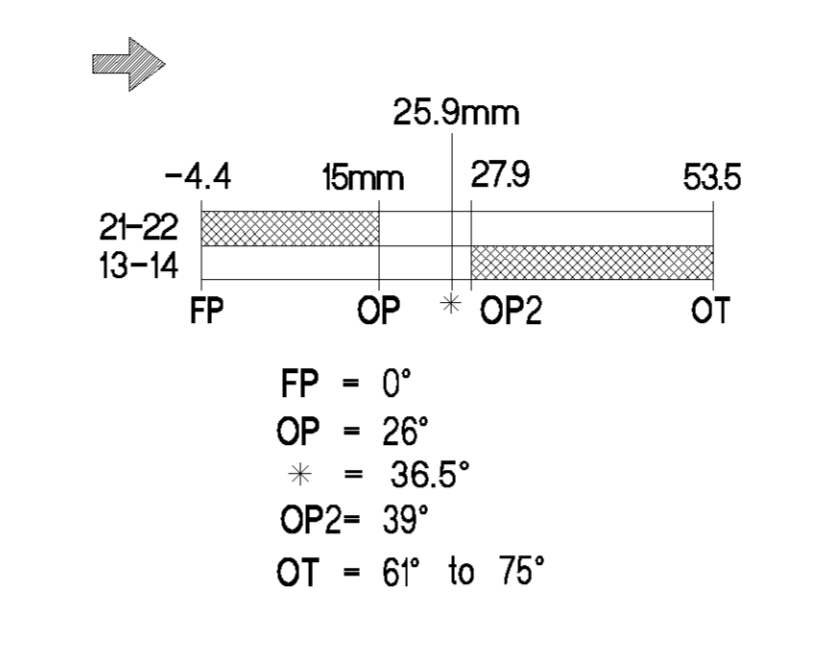
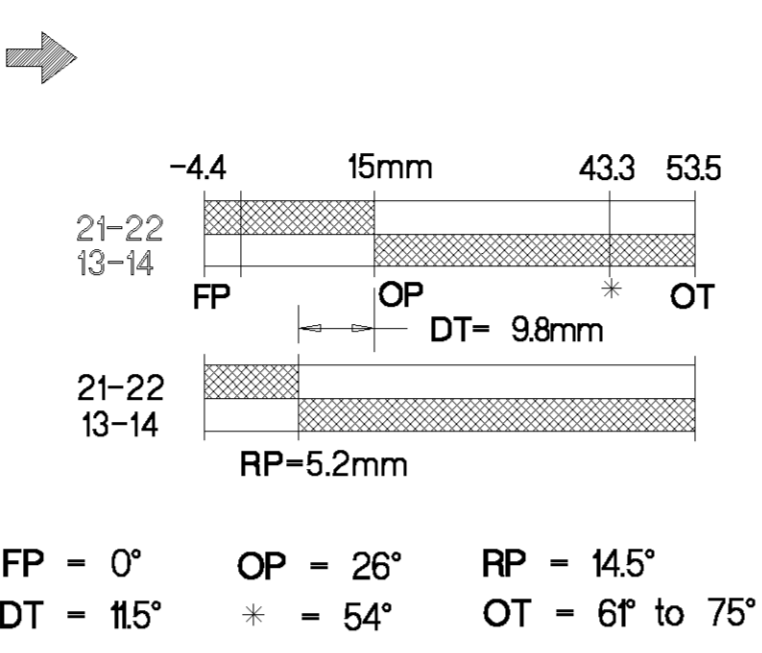
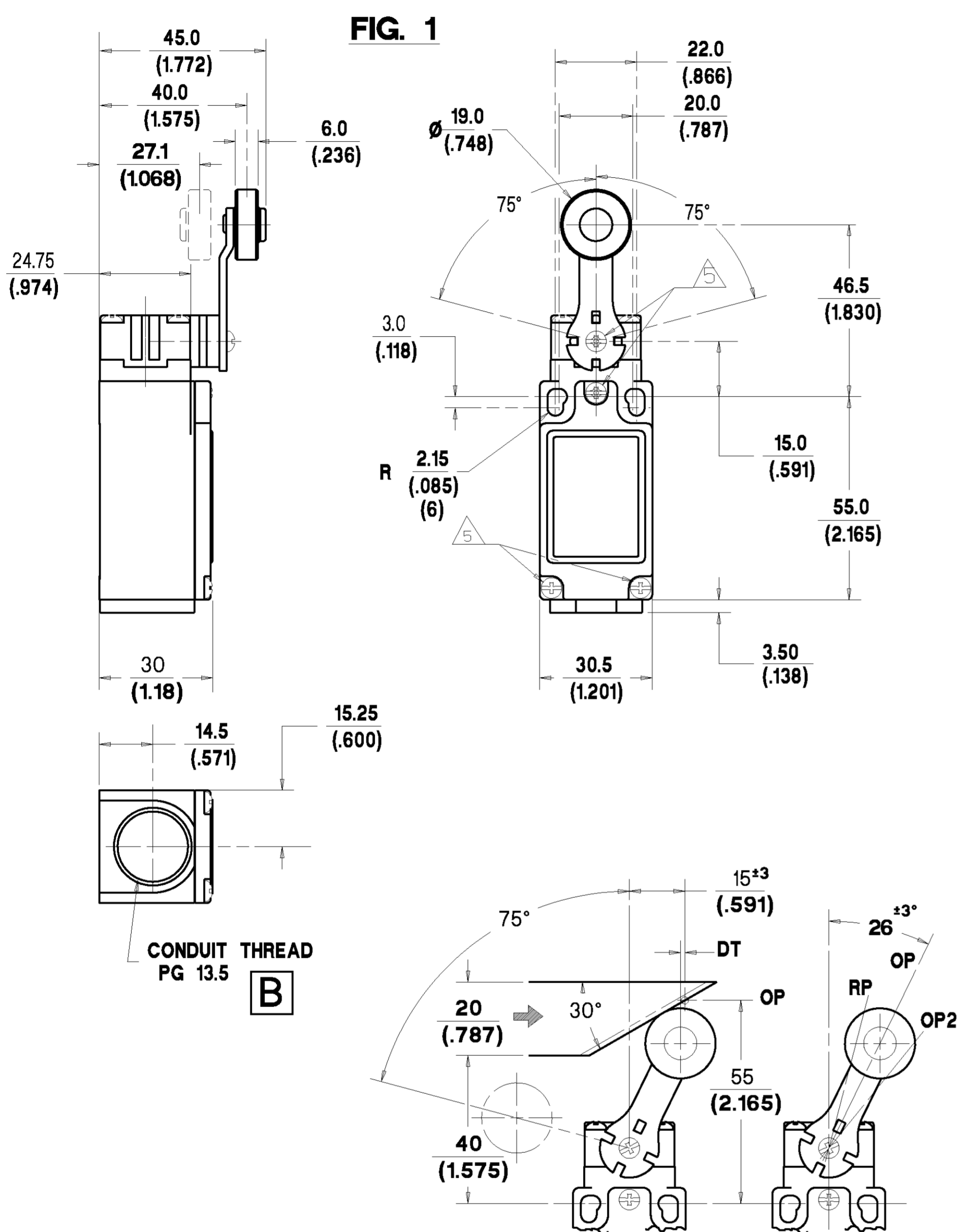
Honeywell

LIMIT SWITCH

CATALOGUE LISTING
GLS
CHART NO.
MTG-GL-172



CONTACT BLOCK DIAGRAM TERMINAL DESIGNATION TO EN 50013



NOMINAL TRAVELS AND RELATED TERMINALS
CONTACT CLOSED
CONTACT OPEN
* POSITIVE OPENING TO IEC 947-5-1-3

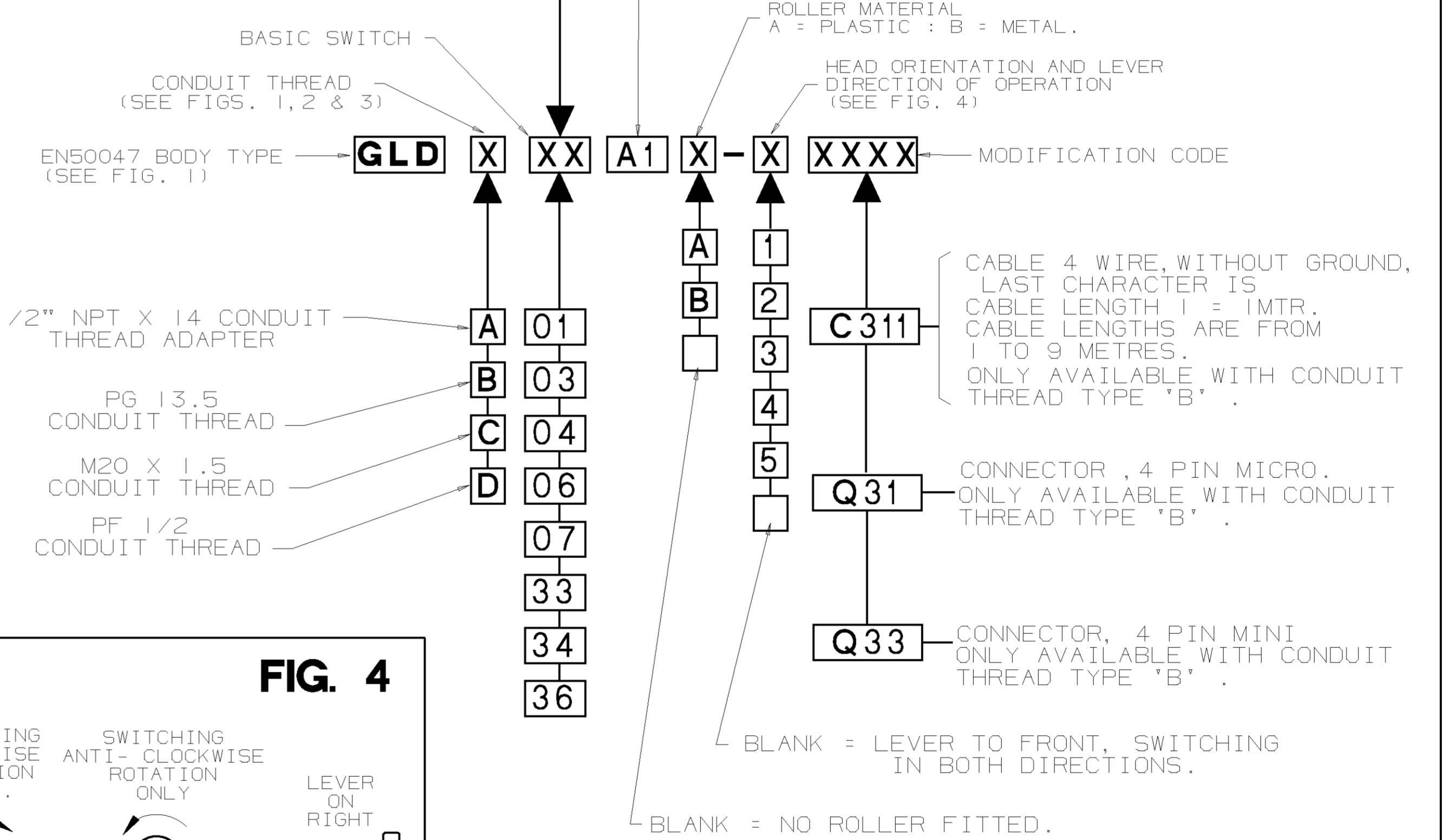
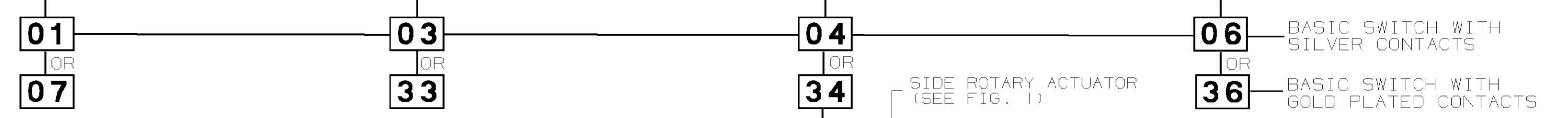
120 (1.1)	110 (1.0)	110 (1.0)	110 (1.0)
140 (1.3)	160 (1.5)	170 (1.6)	150 (1.4)

120 (1.1)	110 (1.0)	110 (1.0)	110 (1.0)
140 (1.3)	160 (1.5)	170 (1.6)	150 (1.4)

120 (1.1)	110 (1.0)	110 (1.0)	110 (1.0)
140 (1.3)	160 (1.5)	170 (1.6)	150 (1.4)

120 (1.1)	110 (1.0)	110 (1.0)	110 (1.0)
140 (1.3)	160 (1.5)	170 (1.6)	150 (1.4)

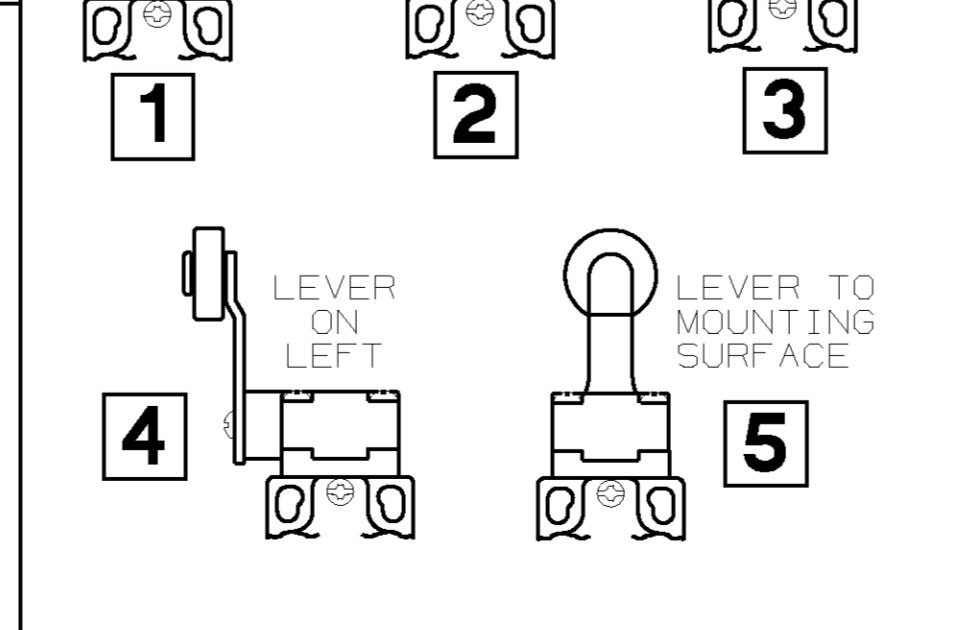
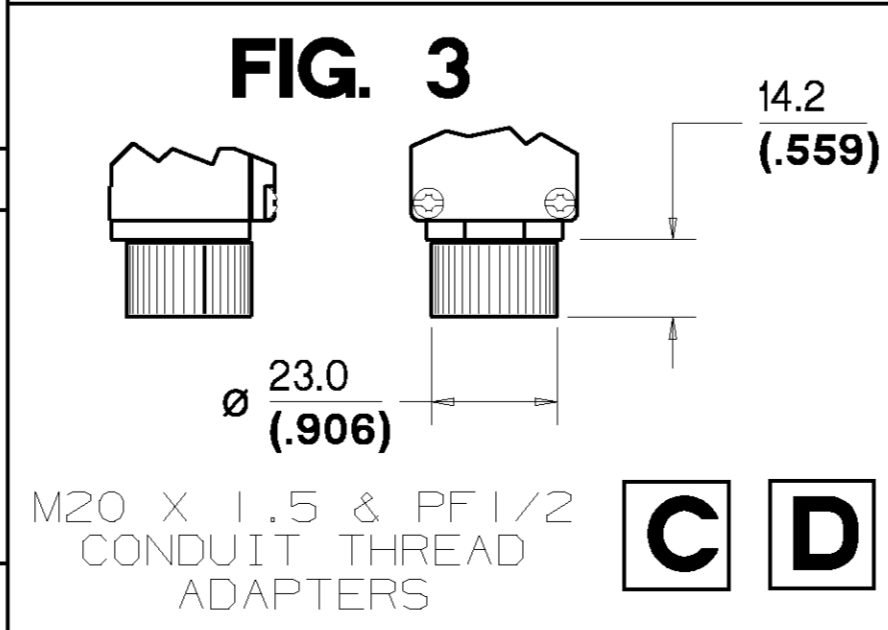
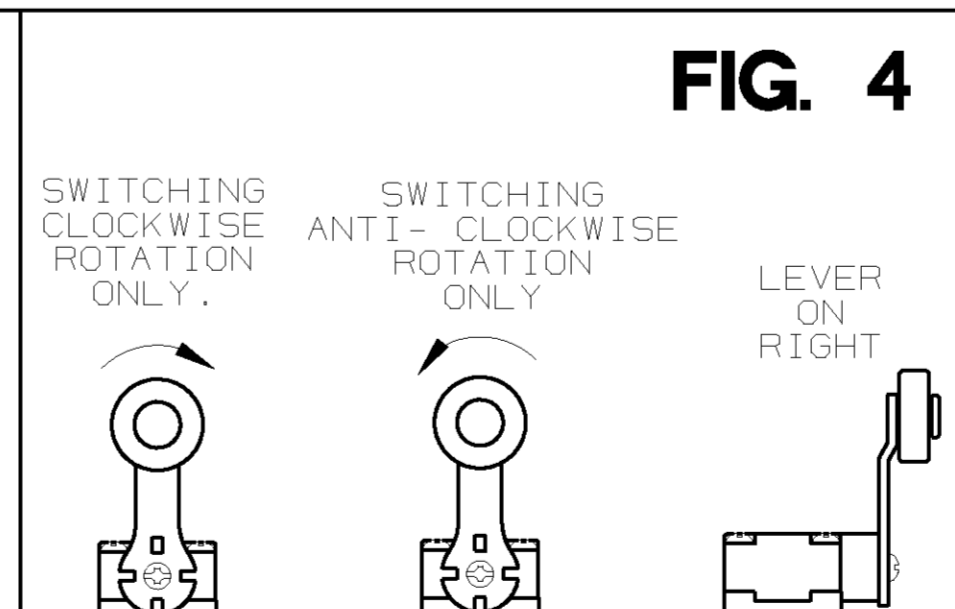
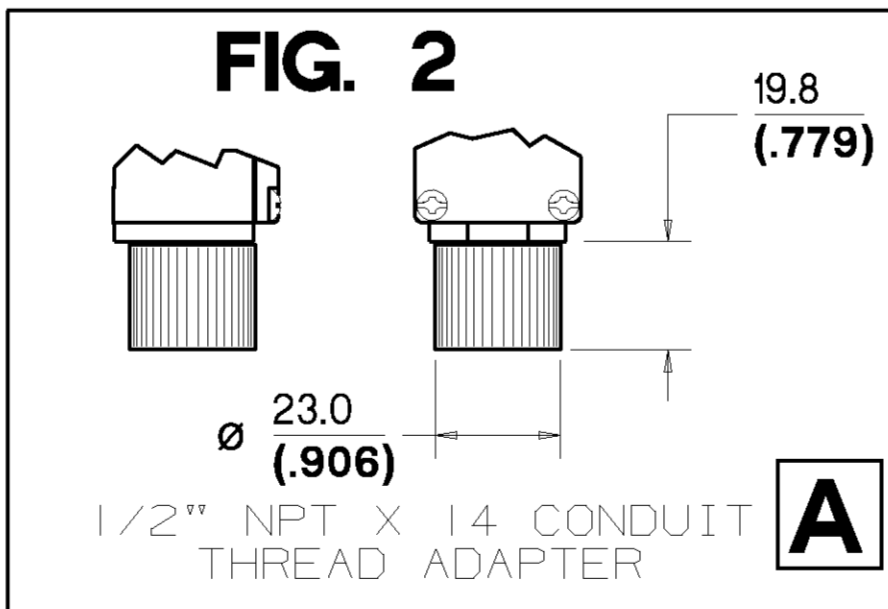
NORMAL OPERATING TORQUE MAX **Nmm (in.lbs)**
MAXIMUM DISCONNECT TORQUE **Nmm (in.lbs)**



- NOTES:-
- MICRO SWITCH BLUE GLASS FILLED POLYESTER HOUSING & COVER. BLACK GLASS FILLED POLYAMIDE HEAD.
 - ENCLOSURE DOUBLE INSULATED TO IEC 539 CLASS II.
 - MINIMUM OPERATING VELOCITY (V_{min}) = 2.0 MM/S (THESE LIMITS APPLY TO CAM OPERATION AS SHOWN IN THE ABOVE DIAGRAMS ONLY)
MAXIMUM OPERATING VELOCITY (V_{max}) = 200 MM/S
MAXIMUM OPERATING FREQUENCY (F_{max}) = 250 OPS/MIN
 - FREE POSITION (FP), OPERATING POINT (OP), OVERTRAVEL (OT) AND PRETRAVEL (PT) ALL TO EN50047.
- MAXIMUM TIGHTENING TORQUE FOR FIXING SCREW = 0.5Nm (4.4 in.LB)

NO CHANGES CAN BE MADE TO THIS DRAWING WITHOUT JOINT NEWHOUSE/FREEMPORT APPROVAL

NOTE:- ANY STANDARD LISTING WITH SUFFIX 'RS' OR 'FE' IS PERMITTED.



IEC 947-5-1 ELECTRICAL RATING			ENVIRONMENTAL		APPROVALS
SILVER CONTACTS			GOLD PLATED CONTACTS		UL IEC 947-5-1 EN50047
AC	AC (FOR 2NC)	DC	IP66	NEMA 1, 4, 12, 13	
AG00 AC15 U _e I _e	A500 AC15 U _e I _e	O500 DC13 U _e I _e	TEMP RANGE : -25°C TO 85°C -13°F TO 185°F	SHOCK : 50G PER IEC 68-2-27 VIBRATION : 10G PER IEC 68-2-6	
VOLTS AMPS 120 1.5 240 0.75 380 0.5	VOLTS AMPS 120 1.5 240 0.75 380 0.5	VOLTS AMPS 120 0.27 250 0.27	STORAGE : -40°C TO 85°C -40°F TO 185°F		
I _{th} = 10A			1V 10µA MIN. 50V 100mA MAX.		
THE COPYRIGHT OF THIS DRAWING IS THE PROPERTY OF HONEYWELL LTD. THE DRAWING IS SUPPLIED IN CONFIDENCE AND MUST NOT BE USED FOR ANY PURPOSE OTHER THAN THAT FOR WHICH IT IS SUPPLIED.			SCALE DIMENSIONS ARE IN MM/INCHES. MODIFY ON CAD SYSTEM ONLY		

NOTE: FOR CONNECTION DIAGRAMS AND ADDITIONAL ELECTRICAL, ENVIRONMENTAL & DIMENSIONAL INFORMATION SEE DRAWING GL-49212.